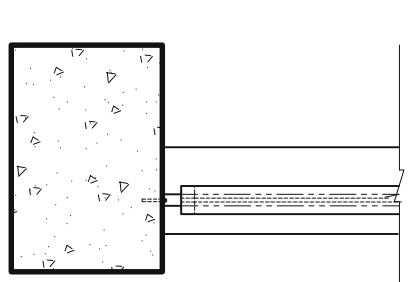
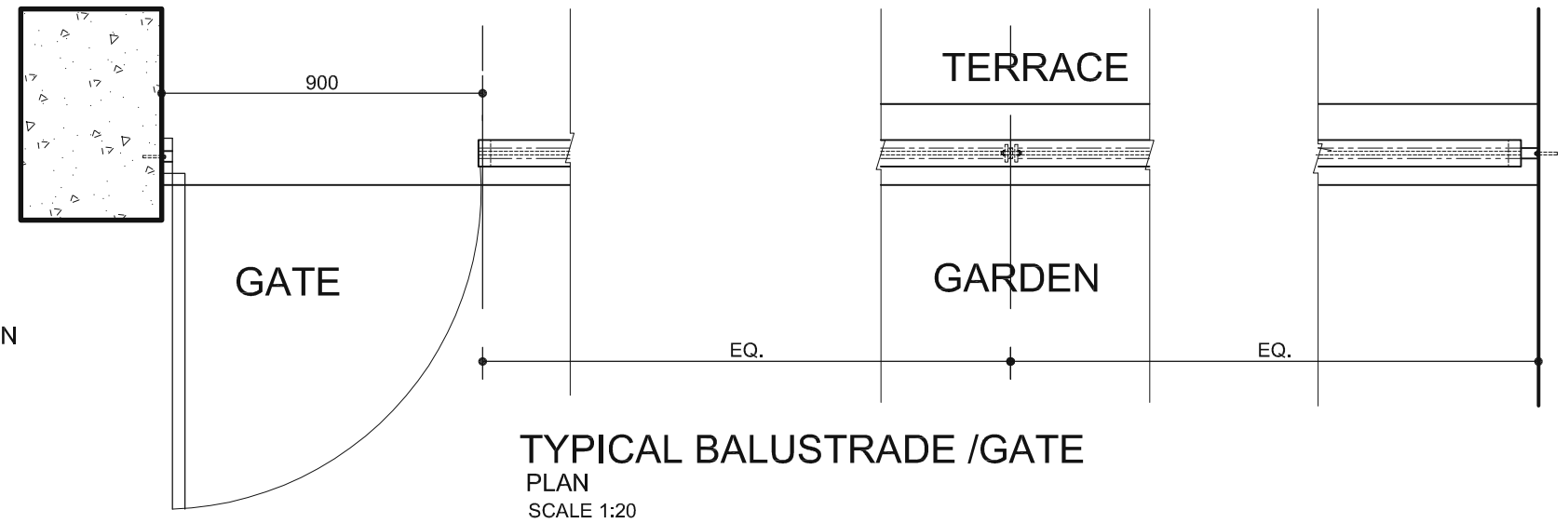


TYPICAL BALUSTRADE /GATE
ELEVATION
SCALE 1:20

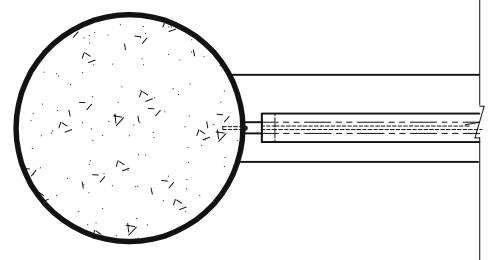
TYPICAL SECTION
SCALE 1:20



PLAN: DETAIL AT WALL /SQUARE COLUMN
SCALE 1:20



TYPICAL BALUSTRADE /GATE
PLAN
SCALE 1:20



PLAN: DETAIL AT ROUND COLUMN
SCALE 1:20

● notes
- BALUSTRADE DESIGN AND MANUFACTURE TO BE APPROVED BY SPENCER GORE DEV. PRIOR TO INSTALLATIONS
- ALL METALWORK TO BE PAINTED : THORN ENAMEL MATT SILVER WITH GALVAGRIP PRIMER

● drawing
BALUSTRADE /GATE PLANS ELEVATIONS
● type
- all work to be done in accordance with the sabs 0400
- figured dimensions to be taken in preference to scaled dimensions
- report any discrepancies direct to the architect before commencing work
- this drawing is copyright and remains with the architect

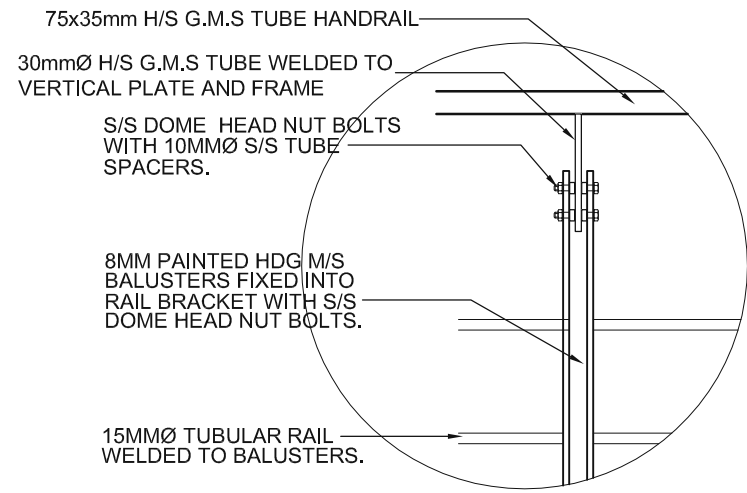
● scale
1:20
● date
07 OCT 2008
● drawn
NM

● project
WESTWOOD ESTATE RESIDENTIAL APARTMENTS
● location
GARDEN PARK, WESTVILLE
● client
SPENCER GORE DEVELOP.

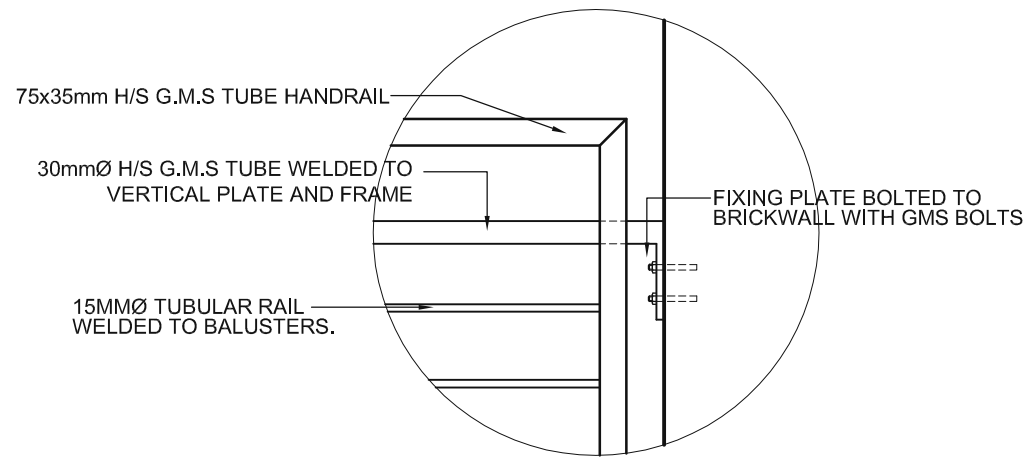
● drawing no
06030 WD 100
● revision



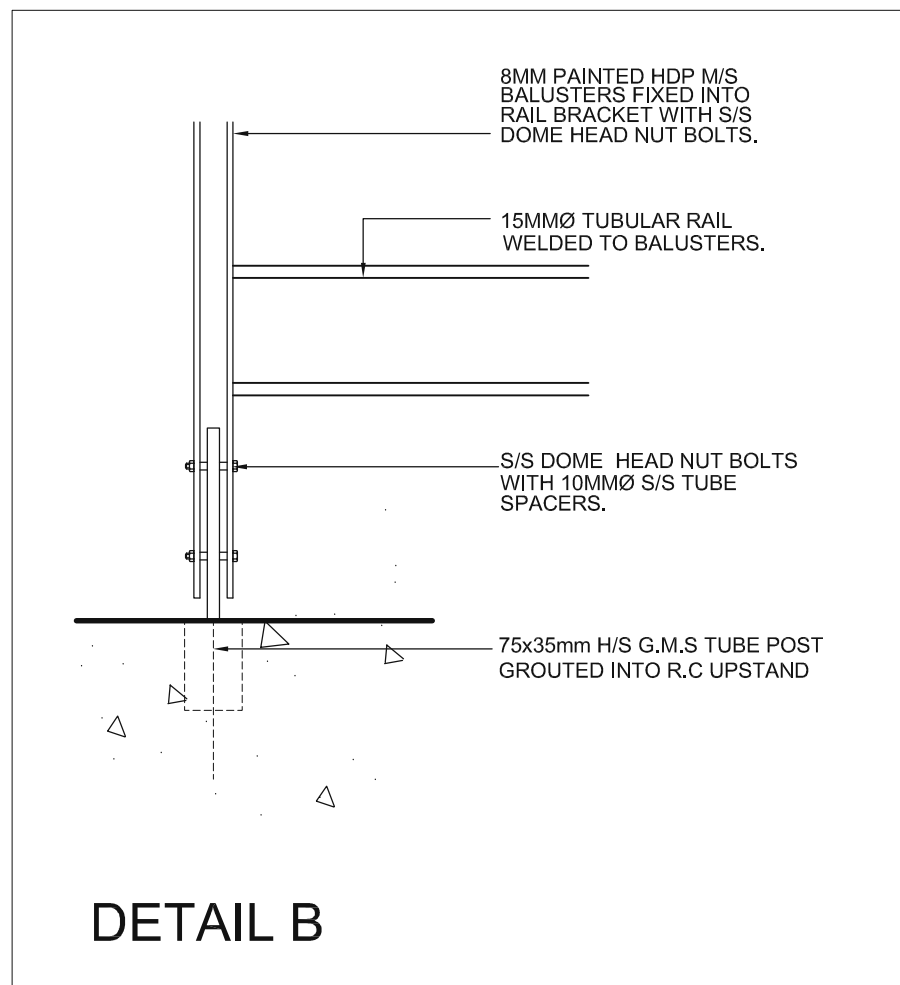
tel +27 31 275 5800
fax +27 31 275 5855
e-mail info@eparch.co.za
po box 2757 westway office park
westville - south africa



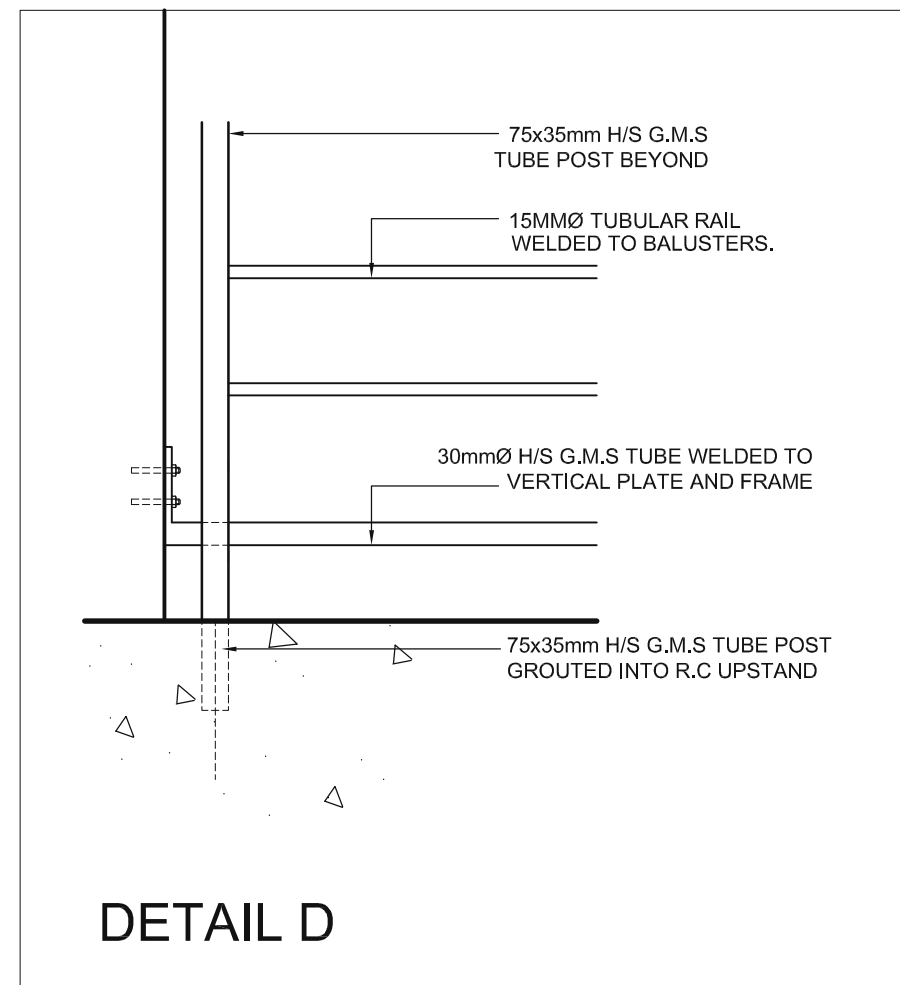
DETAIL A



DETAIL C



DETAIL B



DETAIL D

- notes
- BALUSTRADE DESIGN AND MANUFACTURE TO BE APPROVED BY SPENCER GORE DEV. PRIOR TO INSTALLATIONS
- ALL METALWORK TO BE PAINTED : THORN ENAMEL MATT SILVER WITH GALVAGRIP PRIMER

● drawing

● type

BALUSTRADE /GATE DETAILS

- all work to be done in accordance with the sabs 0400
- figured dimensions to be taken in preference to scaled dimensions
- report any discrepancies direct to the architect before commencing work
- this drawing is copyright and remains with the architect

● scale ● date ● drawn

1:10 07 OCT 2008 NM

● project WESTWOOD ESTATE RESIDENTIAL APARTMENTS

● location GARDEN PARK, WESTVILLE

● client SPENCER GORE DEVELOP.

● drawing no ● revision

06030 WD 100-01



tel +27 31 275 5800
 fax +27 31 275 5855
 e-mail info@eparch.co.za
 po box 2757 westway office park
 westville - south africa